



ASSEMBLY INSTRUCTIONS

DINING CHAIR

IMPORTANT INFORMATION - MUST READ BEFORE ASSEMBLY:

Every item is handmade and although effort has been taken to ensure your item reaches you in perfect condition, sometimes damage can be caused during transit. Please check the item before assembling and notify your retailer within 48 hours of taking delivery of any damages / defects, the retailer may request images and must include batch code label found underneath the chair seat.

No returns will be accepted after the item has been assembled, packaging has been discarded or goods signed for as received in good condition. This does not affect your statutory rights.

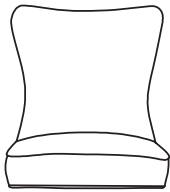
If your item has been finished in French Velvet please take a moment to read the following information:

It is impossible to prevent pressure marks in velvet. However, these quickly disappear when unpacked and left to breathe. With careful handling and a proper understanding of its nature, products made from velvet can be enjoyed for many years. If the pile does become crushed, the angle of the pile alters, which may result in areas of the pile appearing lighter or darker in shade. This is often described as pressure marking, which can easily be mistaken for uneven dyeing or manufacturer's fault. Newly made velvet products usually need time to condition in the atmosphere after unpacking. During this time the pile will relax and lift, improving the richness and the lustre of the velvet. If any pressure marking continues to persist, a light steaming or gentle brushing in the direction of the pile will also be beneficial.

ASSEMBLY INSTRUCTION

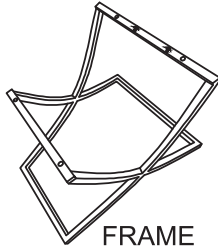
PART LIST

A



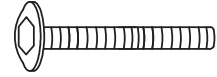
SEAT 1 PC

B



FRAME 1 PC

C



BOLT 4 PCS

D



FLAT WASHER 4 PCS

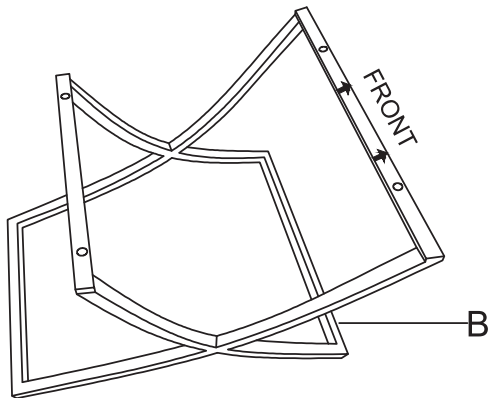
E



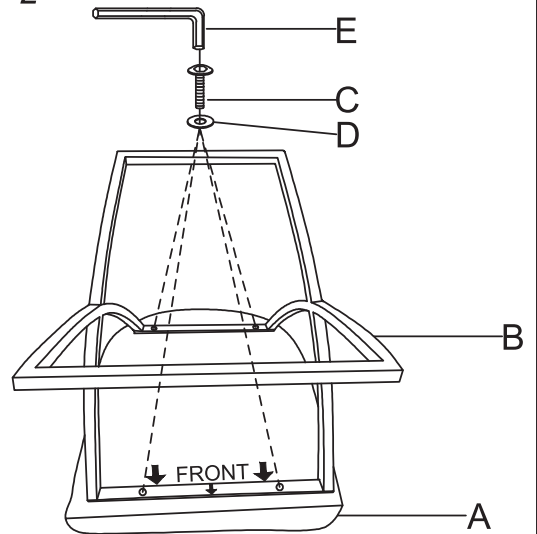
ALLEN KEY
1 PC

ASSEMBLY

STEP 1



STEP 2



STEP 3

